

Core Saturator



Description:

The core saturator is a simple device that is used to saturate core samples with a liquid. It enables the user to obtain complete saturation of clean, dry core samples with water or brine.

Features:

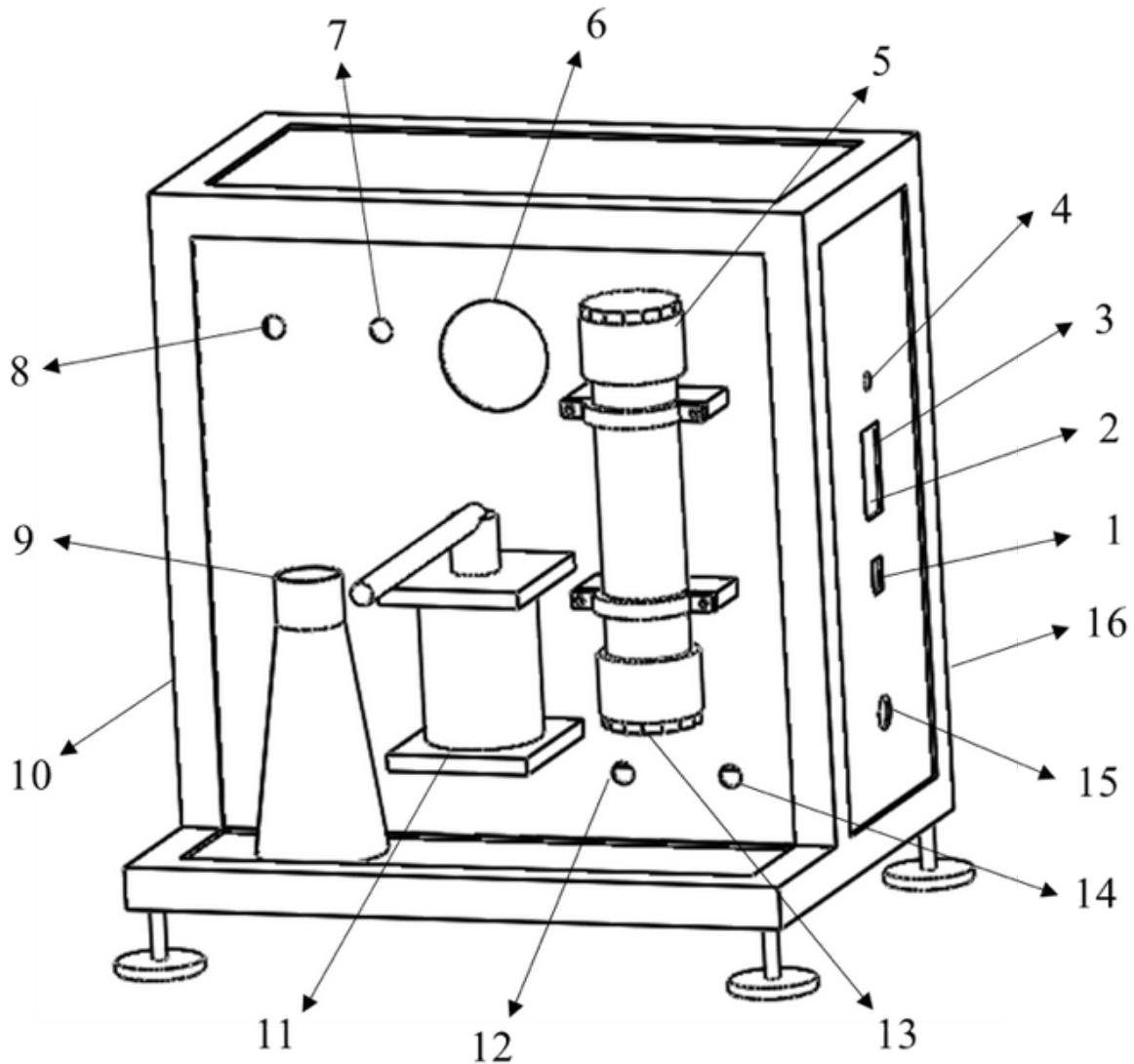
- ✦ Works with multiple plug size samples or full diameter samples up to 12 inches in length
- ✦ Dead volume blocks are provided to reduce the volume of saturation fluid when the sample cannot fill the whole cell
- ✦ Can evacuate the core using a high performance vacuum pump with a capability of maximum vacuum pressure of 15 microns
- ✦ Can become a forced imbibition/drainage device using a hand operated pressure pump

Specifications:

- ✦ Dimensions: 24 in x 18 in x 22 in
- ✦ Operating pressure: 0-13,790 kPa (0-2000 psi)
- ✦ Pressure accuracy: \pm 345 kPa (50 psi)
- ✦ Saturation cell inner diameter: 2 inches
- ✦ Saturation cell length: 10.6 inches
- ✦ Cell wetted material ⁽¹⁾: aluminum
- ✦ Saturating fluid: water or brine
- ✦ Electrical requirement: 220-240 VAC
- ✦ Maximum vacuum pressure: 15 microns (2.0 Pa)
- ✦ Maximum air displacement: 5 CFM ⁽²⁾

(1) The core holder is equipped with the mesh basket to hold the core plugs.

(2) Cubic feet per minute.



Component List :

Part	Description	Part	Description
1	Vacuum pump switch	2	Setup turn on/off switch
3	Power entry connector	4	Power light
5	Saturation cell	6	Pressure gauge
7	Bypass valve	8	Vacuum valve
9	Feed tank	10	Exhaust fan
11	Hand operated pressure pump	12	Saturating Valve
13	Saturation cell end plug	14	Vacuum bypass valve
15	Vacuum oil level	16	Access door

CONTACT

PERM Inc.

Bay 3, 2221 41 Avenue NE

Calgary, AB T2E 6P2

+1 (587) 794-3364

info@perminc.com

